



**OVERHEAD**

**CONCEALED CLOSERS**

Designed for

Aluminum, Hollow Metal,

Wood Doors

and Frames





# GENERAL INFORMATION

## INTRODUCTION

Overhead concealed closers are an aesthetically appealing way to close medium-traffic doors. Center-hung Rixson® overhead concealed closers use the spindle as the pivot point, giving the most efficient way to control doors. Offset models allow the use of continuous, standard butts or intermediate and bottom pivots to hang doors.

Heavy and high-traffic doors should always use floor closers, but when doors are of average size and usage, the following closers are viable options to surface closers.

Overhead  
Concealed Closers

## CONTENTS

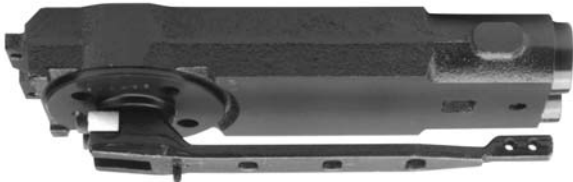
## PAGE

<b>Overhead Concealed Closers: General Information</b> .....	<b>98</b>
Model 607/608 Center Hung Closers .....	99
Model 0607/0608 Offset Hung Closers .....	100
Model 700 Center Hung Closers .....	101
Model 800 Center Hung Closers .....	102
Model 0700 Offset Hung Closers .....	103
<b>Parts Drawings</b> .....	<b>104-114</b>
<b>Quick Reference of Options</b> .....	<b>115</b>

## MODEL 607/608 CENTER HUNG

### Application

Single or Double Acting, Non-handed  
 Exterior or Interior Doors  
 Low to Medium Usage  
 Weight to 200 lbs.  
 Exterior Door Size 3'6" x 8'0" (1067 x 2438mm)  
 Interior Door Size 3'8" x 8'0" (1118 x 2438mm)



End load arm shown

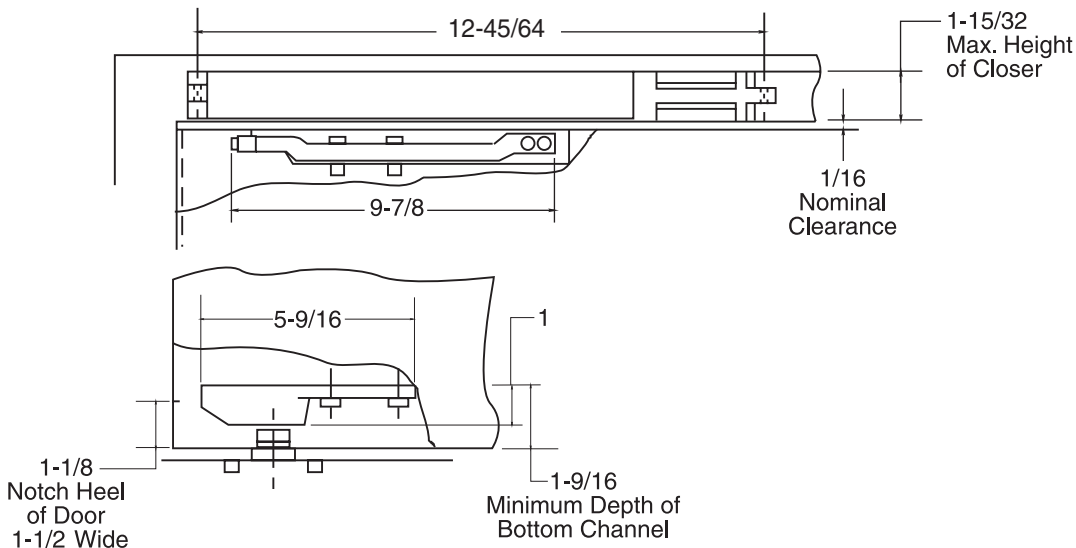
### Product Description & Features

- Available in non-hold open (door swings to 130° each direction).
- Available in hold open models—specify 90° or 105°
- Model 607 is for 5# opening force at 30". Do not use on exterior doors or doors over 36" wide.
- Product should always be used with auxiliary stop
- 1-3/4 Doors only
- Adjustable closing and latch speeds.
- Not available with cold weather fluid or delayed action
- On single acting center hung application frame stop is required (see part number 60131 on page 34) order separately.
- 1/2" longer than standards spindle is available and must be ordered as part of the closer, it cannot be added later.

### Models

- 607EL and 608EL closers should be used on aluminum doors and frames. Package includes closer body, arm, frame mounting clips, and bottom pivot 608011. This can be used in an aluminum frame that is 1-3/4" x 4".
- M607 and M608 closers should be used on metal doors and frames. Package includes closer body, arm, mounting box 608049PKG, cover plate and bottom pivot 608011. Frame size 2" x 5-1/2" minimum.
- MW607 and MW608 closers should be used on wood doors and metal frames. Package includes body, arm, mounting box 608049PKG, cover plate and bottom pivot 608011. Frame size 2" x 5-1/2" minimum.

### Technical Information



- W607 and W608 closers should be used on wood doors and frames. Package includes closer body, arm, mounting box 608049PKG, cover plate and bottom pivot 608011. Frame size 2" x 5-1/2" minimum.
- AW607 and AW608 closers should be used on wood doors and aluminum frames. Package includes closer body, arm, frame mounting clips and bottom pivot 608011. This can be used in an aluminum frame that is 1-3/4" x 4".

## MODEL 0607/0608 OFFSET HUNG

### Application

Single Acting, Non-handed  
Exterior or Interior Doors  
Low to Medium Usage  
Weight to 200 lbs.  
Door Size 3'8" x 8'0" (1118 x 2438mm)

### Product Description & Features

- Available in non-hold open (door swings to 130°).
- Available in hold open models specify 90° or 105°.
- Model 0607 is for 5# opening force at 30" Do not use on exterior doors or doors over 36" wide.
- Product should always be used with auxiliary stop
- 1-3/4 Doors only.
- Adjustable closing and latch speeds.
- Not available with cold weather fluid or delayed action
- On offset hung application, frame STOP is required (see part number 60131 on page 34) order separately.
- 1/2" longer than standards spindle is available and must be ordered as part of the closer, it cannot be added later.
- Hanging means by others. Recommended products are 2 each M190 side jamb pivots and a 117 bottom pivot. For additional information see pages 121 and 131.

### Models

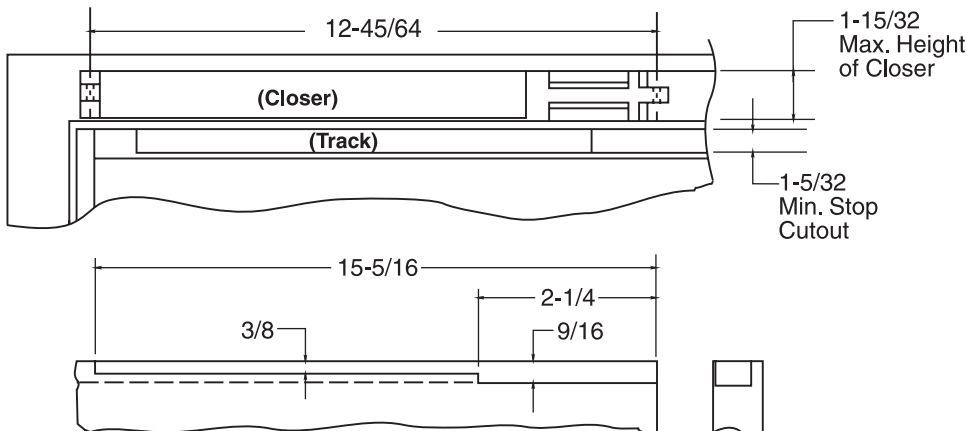
- 0607EL and 0608EL closers should be used on aluminum doors and frames. Package includes closer body, arm and track, and frame mounting clips. This can fit in an aluminum frame that is 1-3/4" x 4".
- M0607 and M0608 closers should be used on metal doors and frames. Package includes closer body, arm and track, mounting box 608049PKG, and cover plate. Frame size 2" x 5-1/2" minimum.
- MW0607 and MW0608 closers should be used on wood doors and metal frames. Package includes body, arm and track, mounting box 608049PKG, and cover plate. Frame size 2" x 5-1/2" minimum.

- W0607 and W0608 closers should be used on wood doors and frames. Package includes closer body, arm and track, mounting box 608049PKG, and cover plate. Frame size 2" x 5-1/2" minimum
- AW0607 and AW0608 closers should be used on wood doors and aluminum frames. Package includes closer body, arm, frame mounting clips and bottom pivot 608011. This can be used in an aluminum frame that is 1-3/4" x 4".

Overhead  
Concealed Closers



### Technical Information



## MODEL 700 CENTER HUNG

### Application

Single Acting, Handed  
Exterior or Interior Doors  
Low to Medium Usage  
Weight to 200 lbs.

ANSI C05052

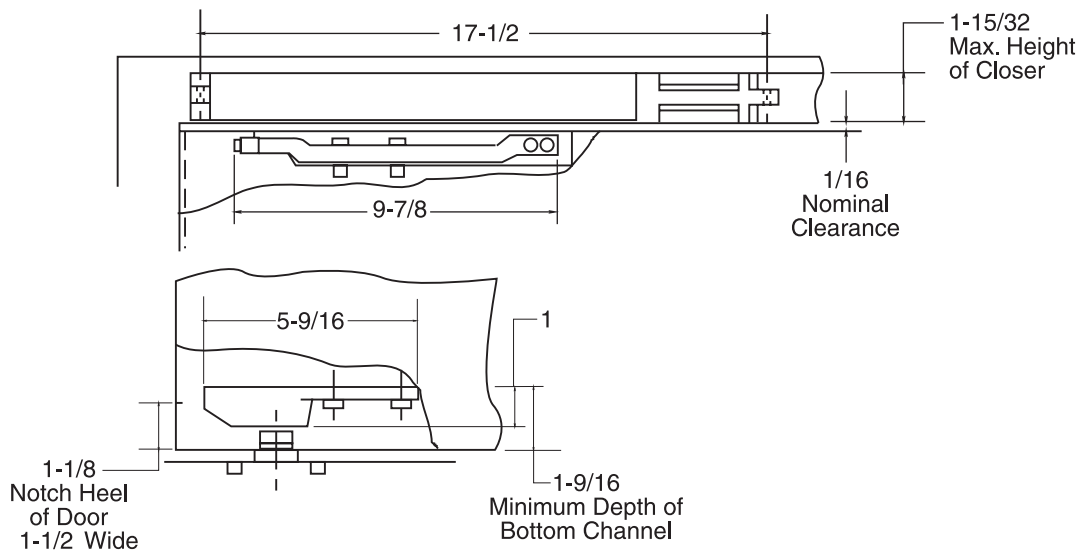


Closer shown with cover, furnished with W, M, MW models

### Product Description & Features

- 700 - Aluminum door/frame
- M700 - Metal door/frame
- W700 - Wood door/frame
- MW700 - Wood door/metal frame
- Available non hold-open (N) or hold open (A). Specify degree (90° or 105°, A or N)
- Closer package includes bottom pivot
- 1-3/4" doors
- Always use auxiliary stop
- 1/2" extended spindle available – specify when ordering
- Adjustable closing speed
- Adjustable hydraulic backcheck
- Not available CWF or DA
- For ADA compliance use Model 706 for interior 36" doors
- Applied stop required (see part number 60131 page 34)
- Metal frames require 192 mounting channel which must be welded into frame prior to shipment. Included with closer.
- Wood frames require 198 mounting plate. Included with closer.
- Cover plate only shipped with M/MWW models.

### Technical Information



### Spring Sizes

Specify size when ordering

706 - Exterior	2'6" x 8'0" (762 x 2438mm)
Interior	3'0" x 8'0" (914 x 2438mm)
707 - Exterior	3'0" x 8'0" (914 x 2438mm)
Interior	3'3" x 8'0" (991 x 2438mm)
708 - Exterior	3'6" x 8'0" (1067 x 2438mm)
Interior	3'8" x 8'0" (1118 x 2438mm)

## MODEL 800 CENTER HUNG

### Application

Double Acting, Non-handed  
Exterior or Interior Doors  
Low to Medium Usage  
Weight to 200 lbs.

ANSI C05052, C05062

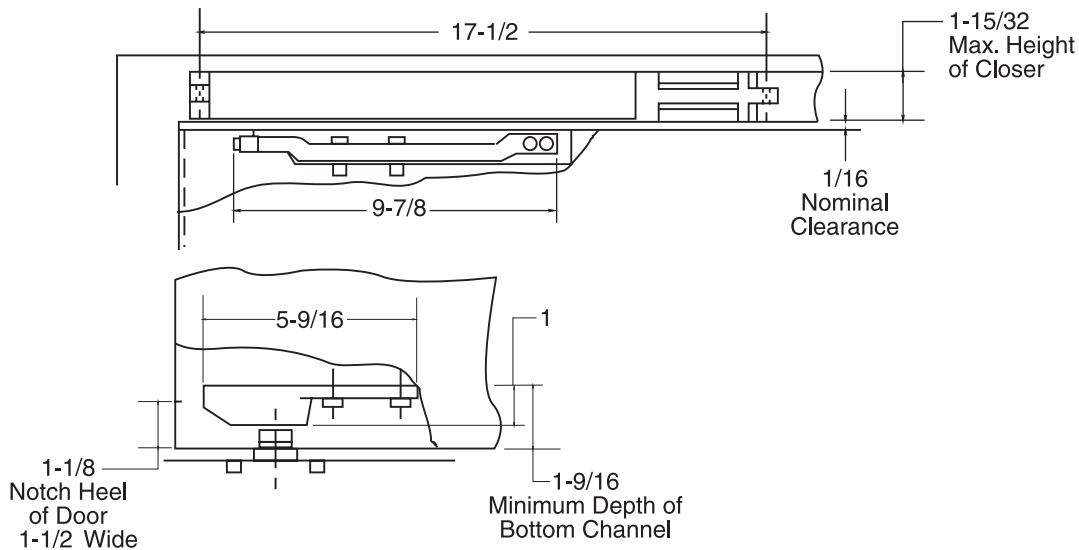


Closer shown with cover, furnished with W, M, MW models

### Product Description & Features

- 800 - Aluminum door/frame
- M800 - Metal door/frame
- W800 - Wood door/frame
- MW800 - Wood door/metal frame
- Available non hold-open (N) or hold open (A). Specify degree (90° or 105°, A or N)
- Closer package includes bottom pivot
- 1-3/4" doors
- Always use auxiliary stop
- 1/2" extended spindle available – specify when ordering
- Not available CWF or DA
- For ADA compliance use Model 806 for interior 36" doors
- Metal frames require 192 mounting channel, which must be welded into frame prior to shipment. Included with closer.
- Wood frames require 198 mounting plate. Included with closer.
- Cover plate supplied on M/MW/W applications only.

### Technical Information



### Spring Sizes

Specify size when ordering

806 -	Exterior	2'6" x 8'0" (762 x 2438mm)
	Interior	3'0" x 8'0" (914 x 2438mm)
807 -	Exterior	3'0" x 8'0" (914 x 2438mm)
	Interior	3'3" x 8'0" (991 x 2438mm)
808 -	Exterior	3'6" x 8'0" (1067 x 2438mm)
	Interior	3'8" x 8'0" (1118 x 2438mm)

## MODEL 0700 OFFSET HUNG

### Application

Single Acting, Handed  
Exterior or Interior Doors  
Low to Medium Usage  
Weight to 200 lbs.

ANSI C05032, C05042

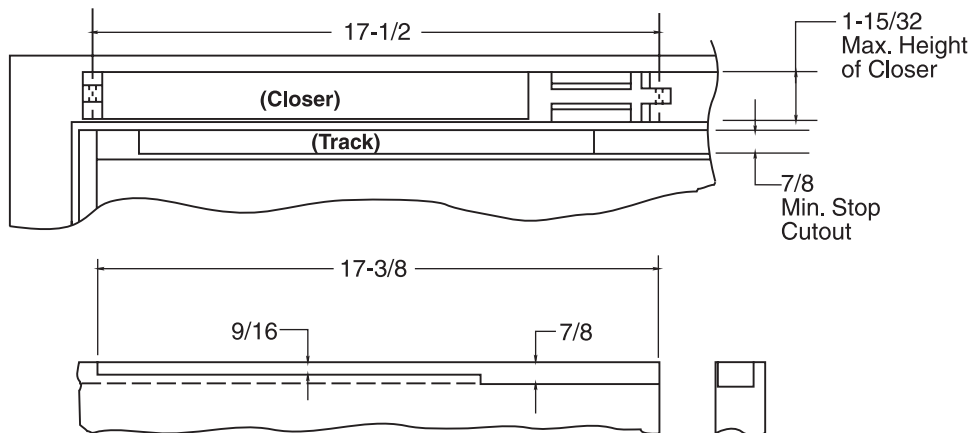


Closer shown with cover, furnished with W, M, MW models

### Product Description & Features

- 0700 - Aluminum door/frame
- M0700 - Metal door/frame
- W0700 - Wood door/frame
- MW0700 - Wood door/metal frame
- Available non hold-open (N) or hold open (A). Specify degree (90° or 105°, A or N)
- Means of hanging: offset pivots, butts, etc., by others
- Auxiliary stop required
- Adjustable closing speed and backcheck
- UL listed for fire-rated openings
- Not available CWF and DA
- For ADA compliance use Model 0706 for interior 36" doors
- Metal frames require mounting box 0192 that must be welded in the frame prior to shipment. Included with closer. Wood frames require 0198 mounting plate. Included with closer.
- Closer cover supplied with M/MW/W models only.

### Technical Information



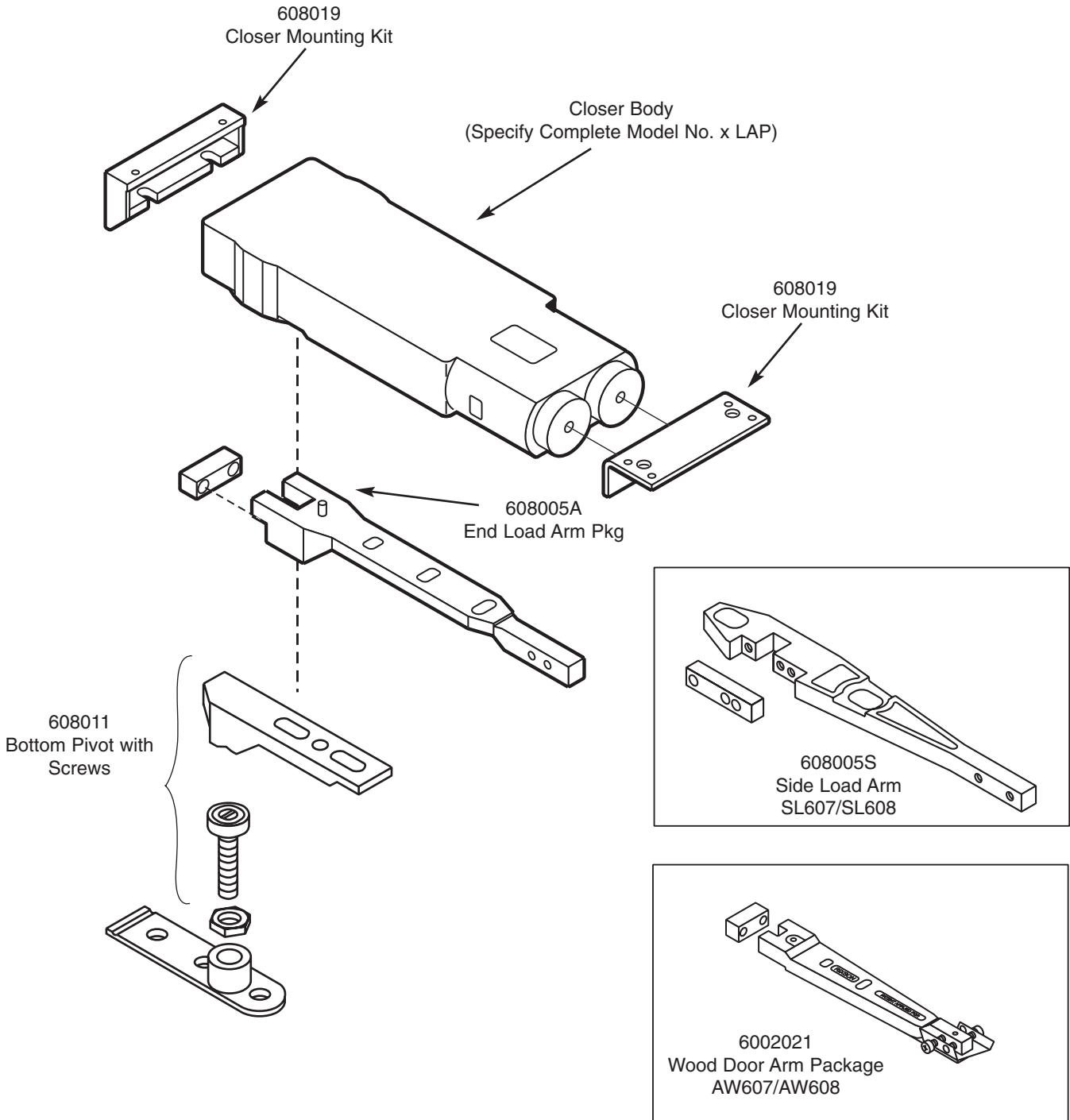
### Spring Sizes

Specify size when ordering

0706-	Exterior	2'6" x 8'0" (762 x 2438mm)
	Interior	3'0" x 8'0" (914 x 2438mm)
0707-	Exterior	3'0" x 8'0" (914 x 2438mm)
	Interior	3'3" x 8'0" (991 x 2438mm)
0708-	Exterior	3'6" x 8'0" (1067 x 2438mm)
	Interior	3'8" x 8'0" (1118 x 2438mm)

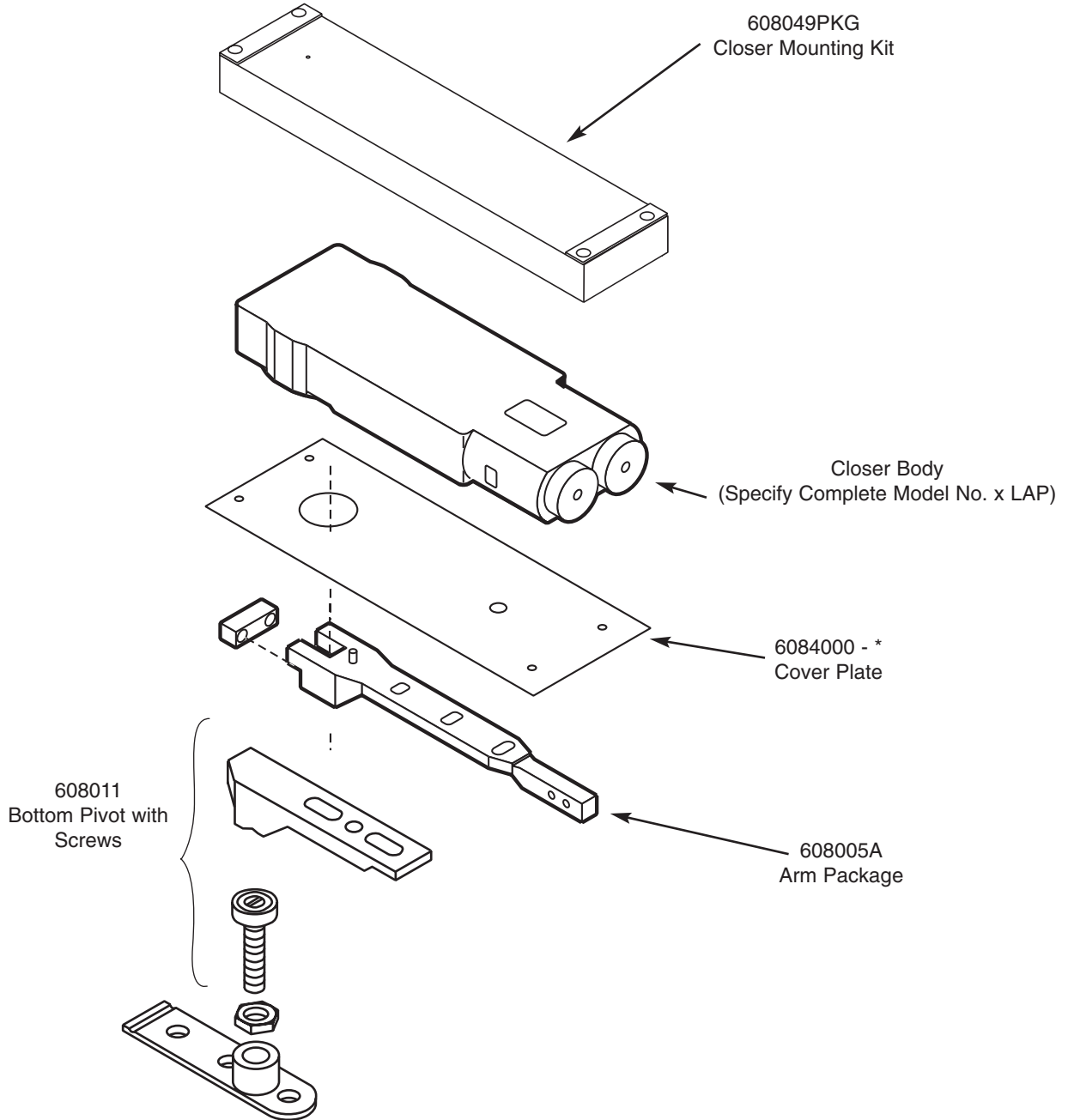
**EL607/EL608/SL607/SL608/AW607/AW608**

Overhead  
Concealed Closers



**M607/M608**

\* specify finish  
 Bottom Pivot Screw Kit  
 Cover Plate Screw Kit 107022-\*

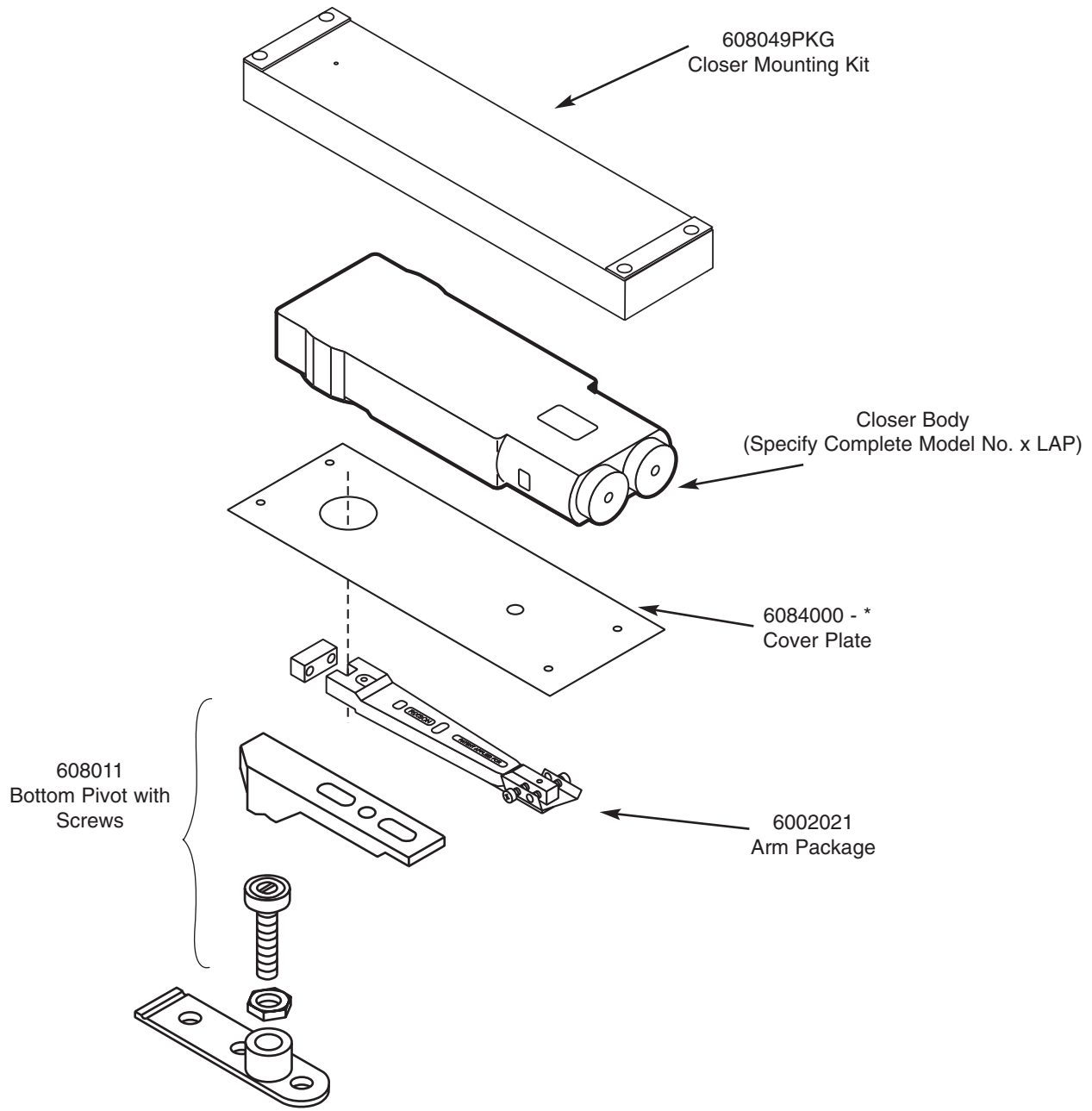


**MW607/MW608/W607/W608**

*\* specify finish*

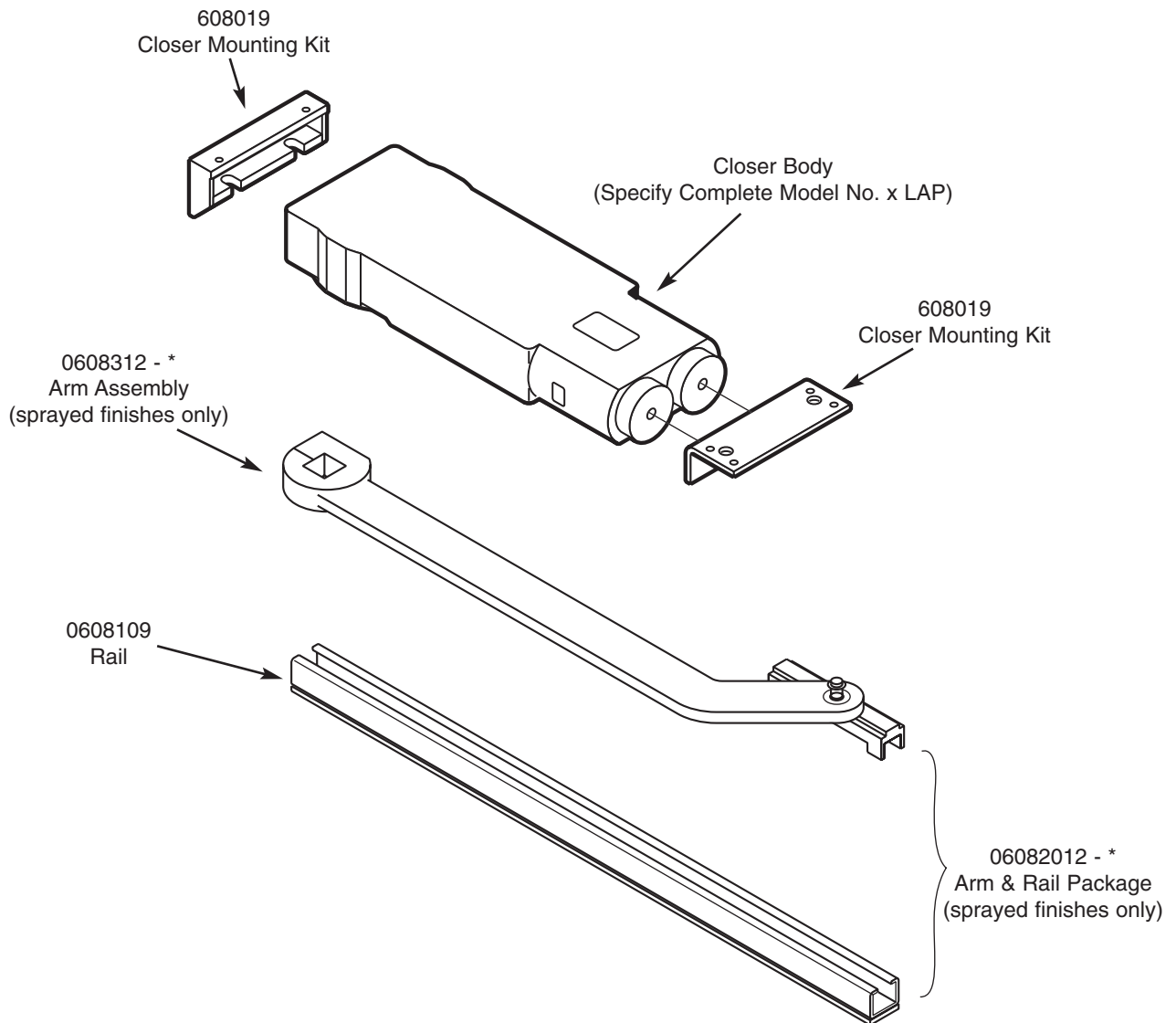
Bottom Pivot Screw Kit	107056
Arm Screw Kits	107055
	107143
Cover Plate Screw Kit	107022-*

Overhead  
Concealed Closers



**0607/0608/AW607/AW608**

*\* specify finish*

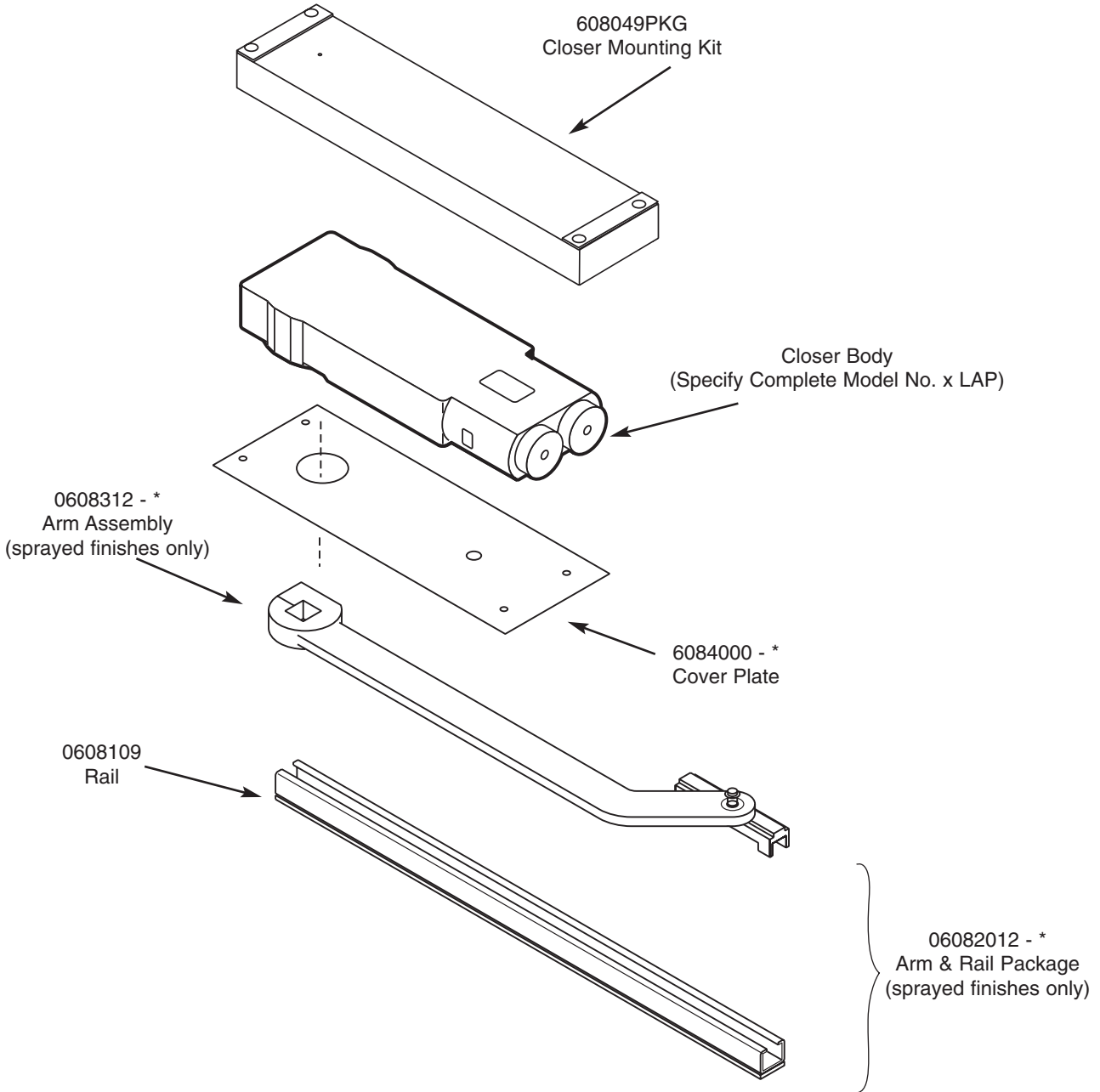


**Overhead  
Concealed  
Closers**

**WO607/MWO607/WO608/MWO608**

*\* specify finish*

Cover Plate Screw Kit 107022-\*

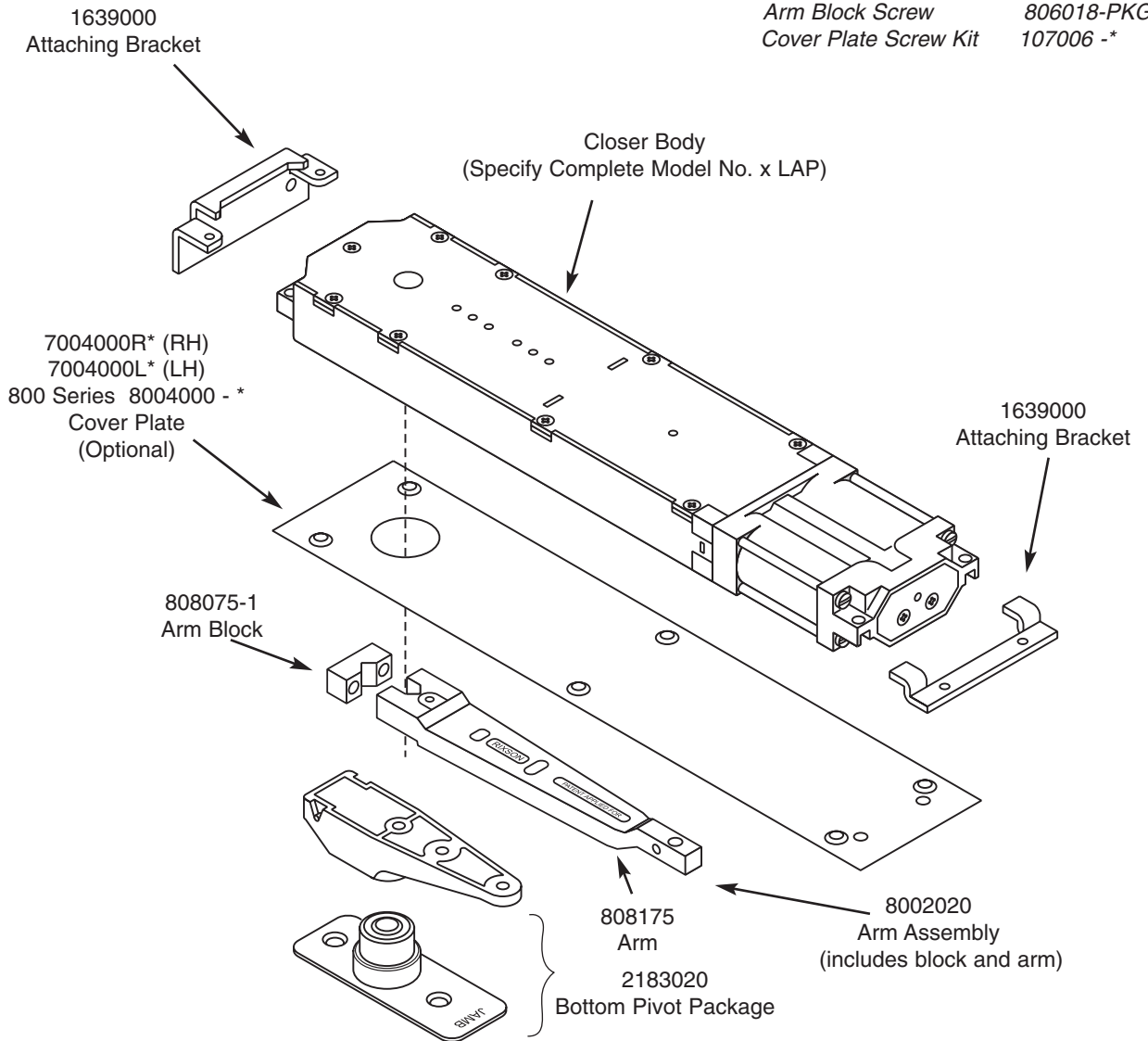


Overhead  
Concealed Closers

## 700/800

\* specify finish

Bottom Pivot Screw Kit	107056
Arm Screw Kits	107055
Arm Block Screw	806018-PKG
Cover Plate Screw Kit	107006 -*

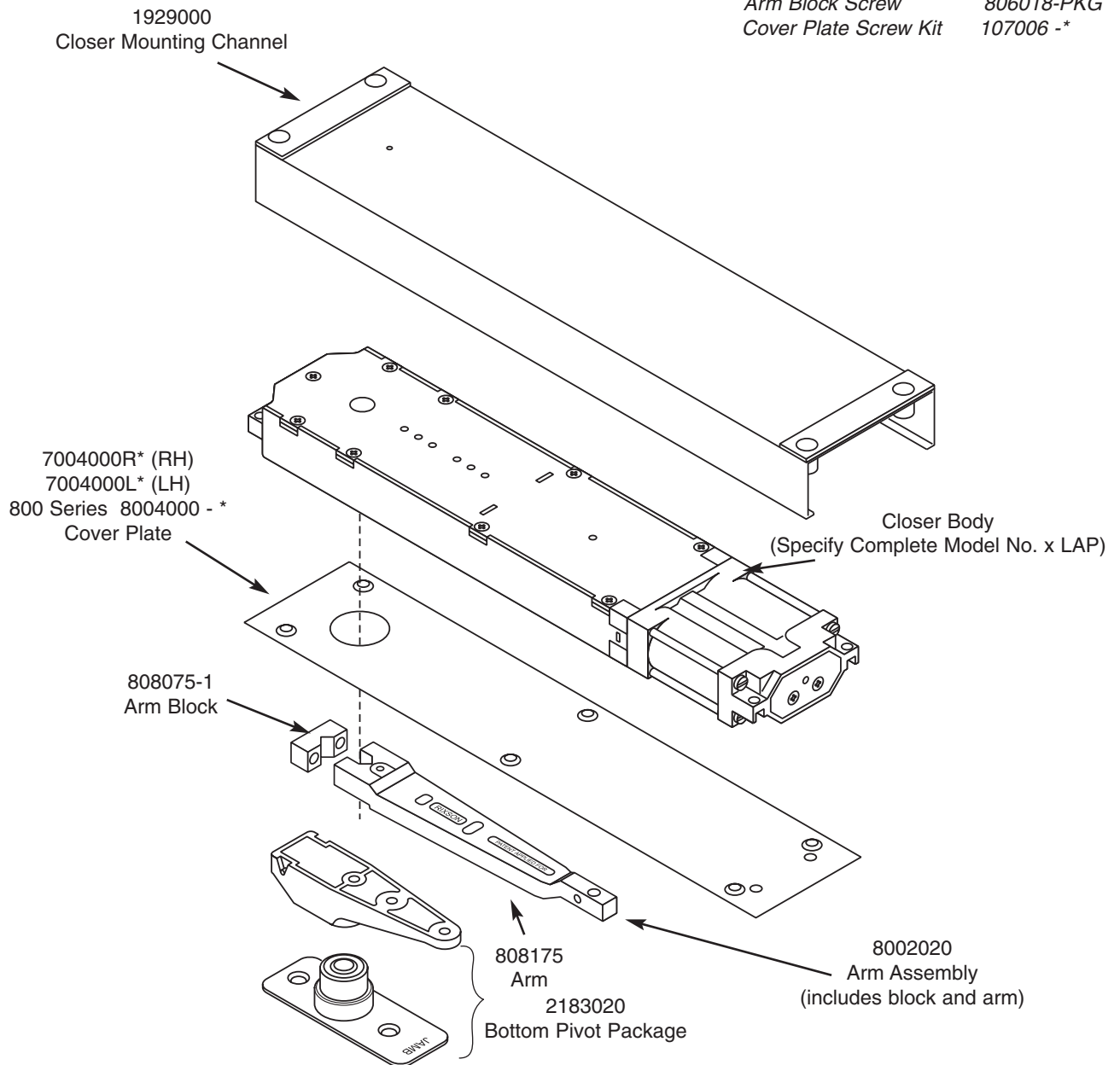


Overhead  
Concealed Closers

### M700/M800

\* specify finish

Bottom Pivot Screw Kit	107056
Arm Screw Kits	107055
Arm Block Screw	806018-PKG
Cover Plate Screw Kit	107006 -*

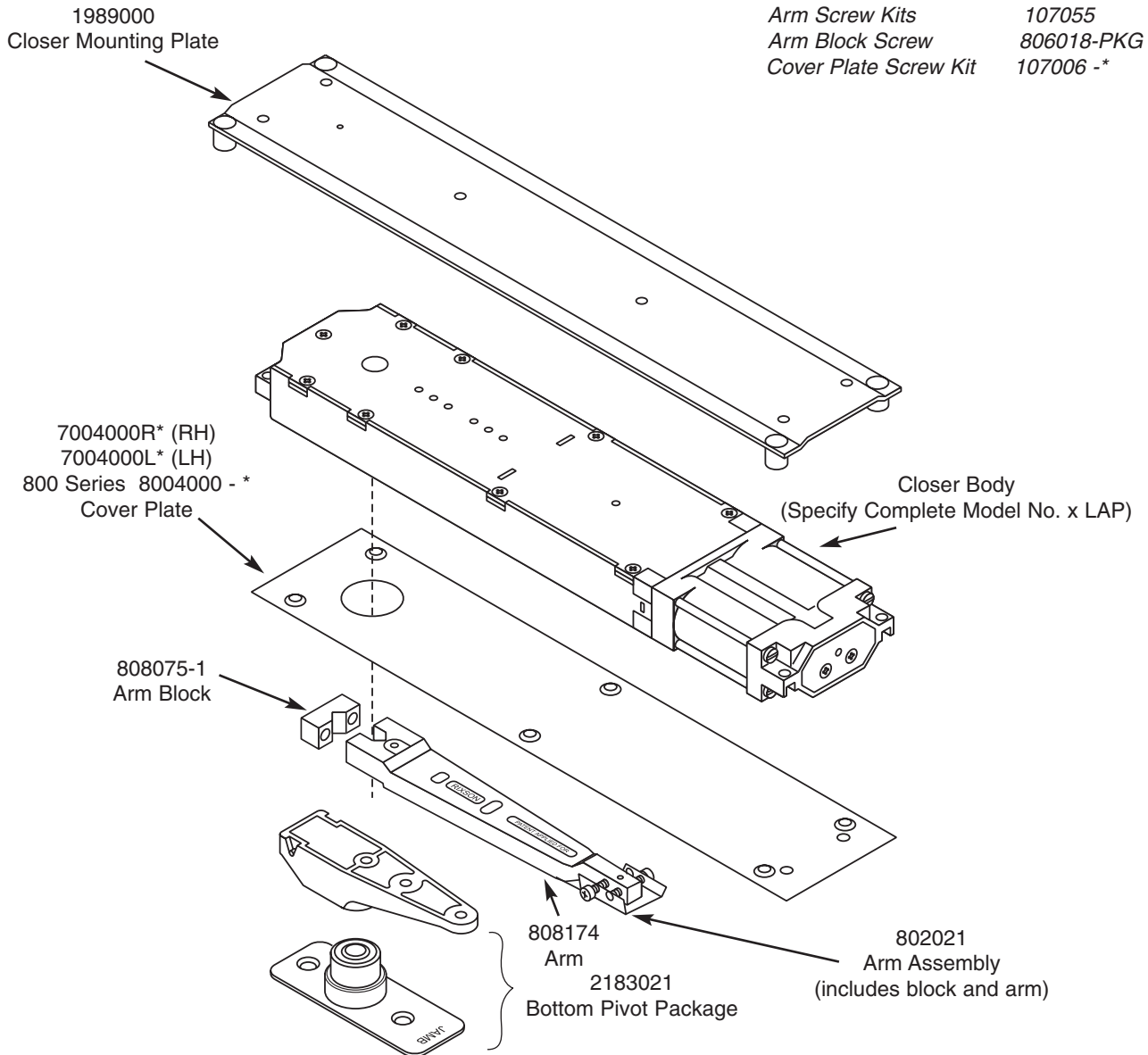


Overhead  
Concealed Closers

### W700/W800

\* specify finish

Bottom Pivot Screw Kit	107056
Arm Screw Kits	107055
Arm Block Screw	806018-PKG
Cover Plate Screw Kit	107006 -*



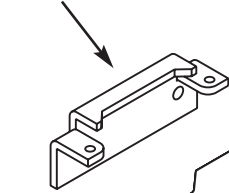
199 (set includes 2)  
Optional End Caps

0700

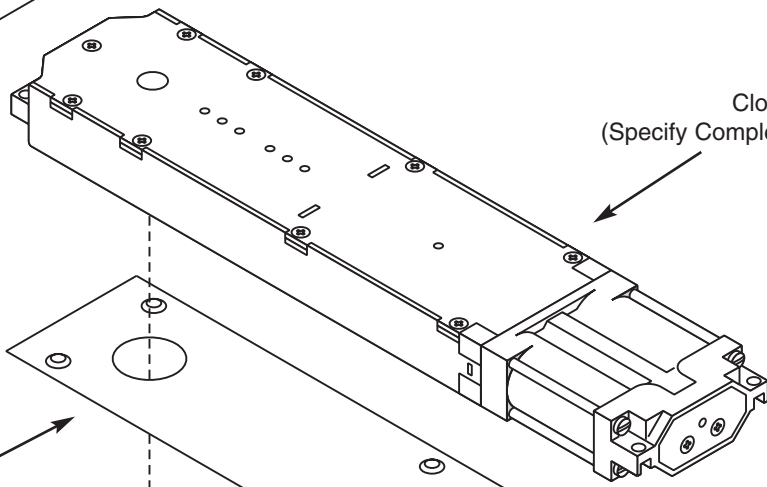
\* specify finish

Cover Plate Screw Kit 107006 -\*

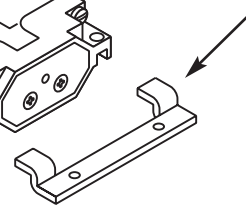
1639000  
Attaching Bracket



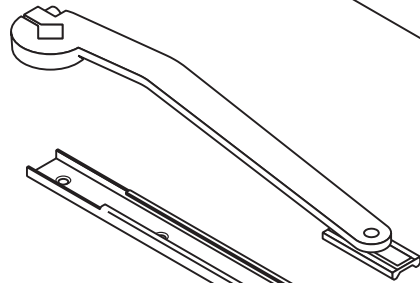
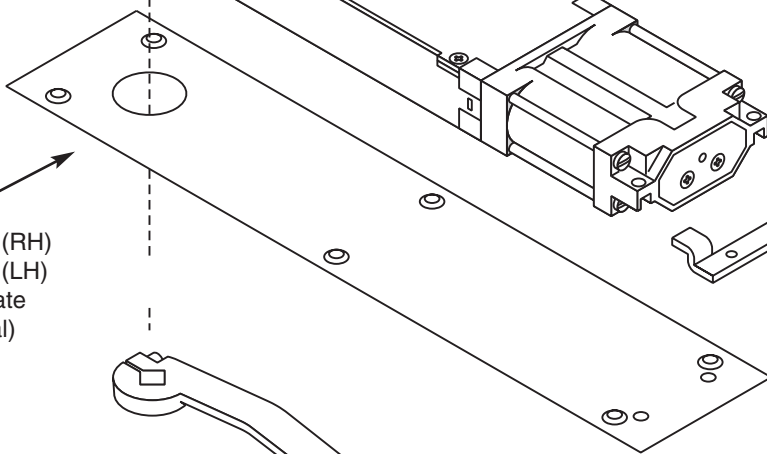
Closer Body  
(Specify Complete Model No. x LAP)



1639000  
Attaching Bracket

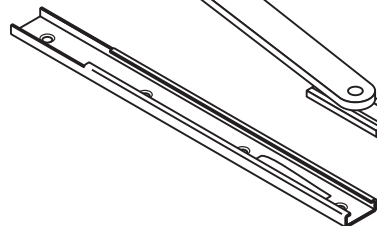


7004000R\* (RH)  
7004000L\* (LH)  
Cover Plate  
(Optional)



08002010R\* (RH)  
08002010L\* (LH)  
Arm Package

08005011  
Rail Package

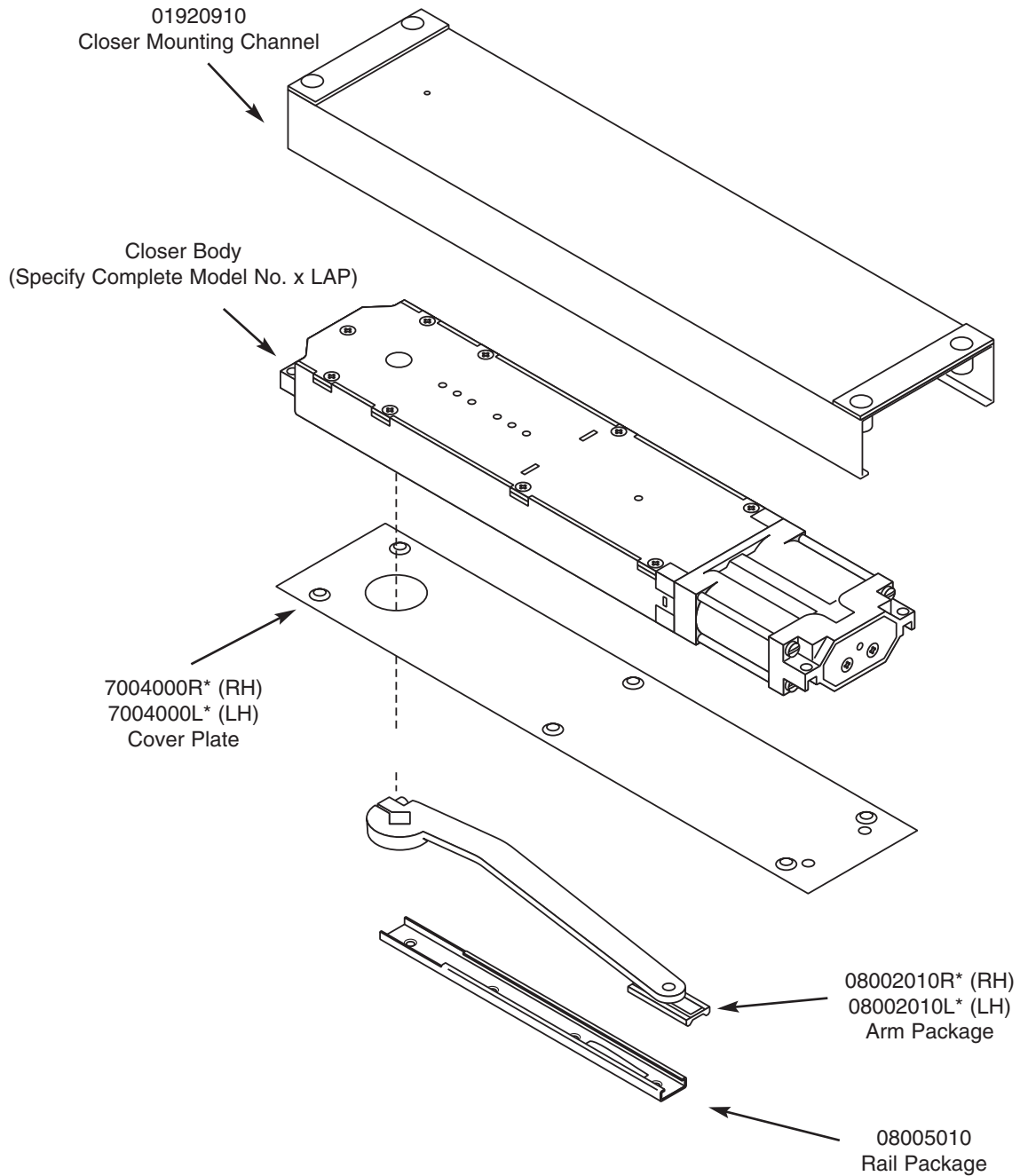


Overhead  
Concealed Closers

**MO700**

\* specify finish

Cover Plate Screw Kit 107006 -\*



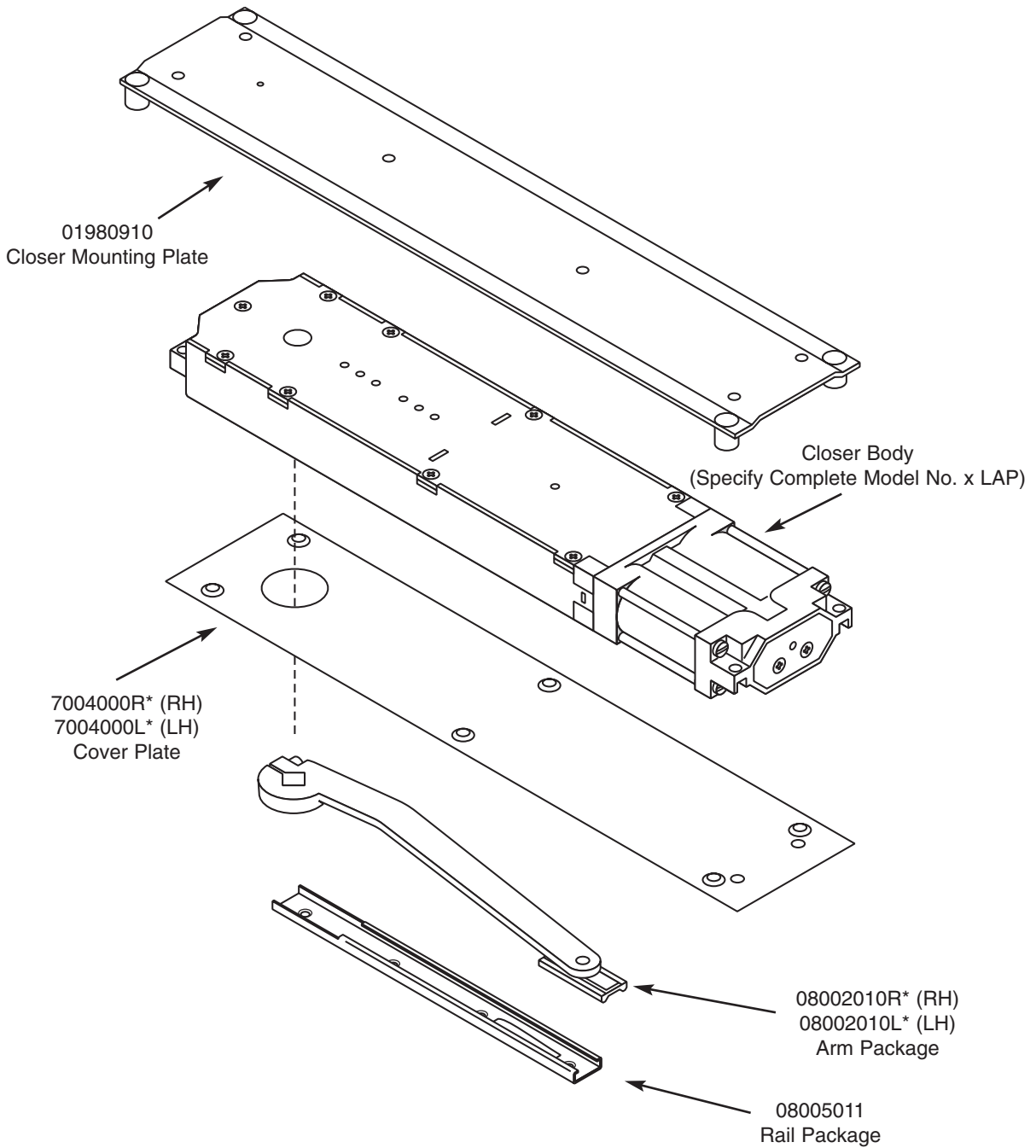
Overhead  
Concealed Closers

**W0700**

\* specify finish

Cover Plate Screw Kit 107006 -\*

Overhead  
Concealed Closers



## REFERENCE

### SAMPLE

<b>W</b> Prefix	<b>0707</b> Model	<b>90 or 105</b> Degree <small>607/608 non hold-open does not require degree</small>	<b>A</b> Automatic hold open or non hold-open	<b>LH</b> Hand	<b>626</b> Finish
--------------------	----------------------	--	---	-------------------	----------------------

### PREFIX

Prefix	Description
None	Aluminum Door/Frame
M	Metal Door/Frame
W	Wood Door/Frame
MW	Wood Door/ Metal Frame
AW	Aluminum Frame/Wood Door

### MODELS

Model	Single Acting	Double Acting
Center Hung	607	607
	608	608
	706	806
	707	807
	708	808
Offset Hung	0607	
	0608	
	0706	
	0707	
	0708	

### FINISHES

U.S. Standard	Description	BHMA Code
US3	Bright brass, clear coated	605
US4	Satin brass, clear coated	606
US9	Bright bronze, clear coated	611
US10	Satin bronze, clear coated	612
US10B	Satin oxidized bronze, oil rubbed	613
US26	Bright chrome plated	625
US26D	Satin chrome plated	626
SA	Sprayed aluminum	689
SB	Sprayed bronze	690
SLB	Sprayed light bronze	691

Cover plates are available in plated finishes  
Offset arms are available sprayed finishes only



NOTES

---