

Table of Contents

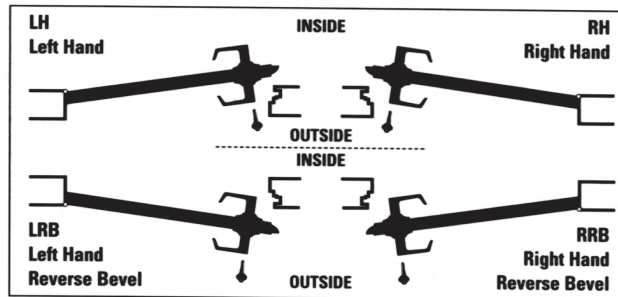
Pages 3-5.....	1000 Series - Surface Mounted
Pages 6-7.....	2030 & 3130 Series - Concealed
Pages 8-11.....	4000 Series - Heavy-Duty Surface Mounted
Pages 12-13.....	4040SE , 4310ME, & 4410ME Series - Fire / Life Safety
Page 14.....	SEM7800 Series Door Magnets - Fire/ Life Safety
Page 15.....	4820 Series - Power Operators
Page 16.....	7910 & 7900 Series - Power Operators

Finishes

AL.....	Painted Aluminum
DKBRZ.....	Painted Dark Bronze
LTBRZ.....	Painted Dull Bronze
US3.....	Bright Brass
US26.....	Bright Chromium

How to Determine Hand of Door

For all swinging doors. Viewing the door from the outside: If the hinges are on the right side of the door, then the door is right handed. If the hinges are on the left side of the door, then the door is left handed.



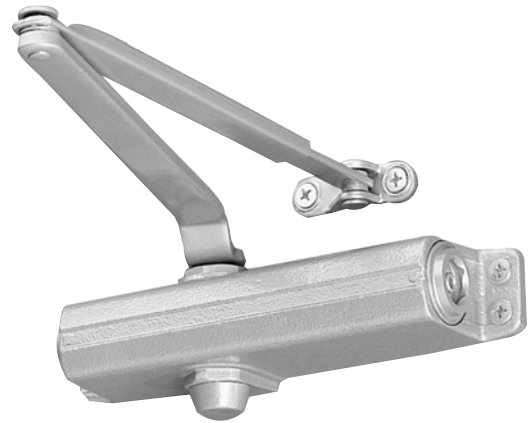
1070 Series Surface Mounted Closers

Application

The 1070 is a cast iron closer that fits the most common commercial footprint. This economical closer is designed for use on narrow 1 3/4" head frames.

Features

- Closer mounts hinge side, top jamb, and parallel arm, on either right or left swinging doors.
- 1071 meets ADA requirements
- The 1070 Series is UL and ULC listed for self-closing doors with out hold-open. Tested and certified under ANSI Standard A156.4, grade one.



1070 Series - Surface Mounted Closers		Finish		
Item #	Description	AL	DKBRZ	LTBRZ
1071	For exterior doors to 30" and interior door to 38"	•	•	•
1074	For exterior doors from 30"-36" and interior doors from 38"-48"	•	•	•
1075	For exterior doors from 36"-42" and interior doors from 48"-54"	•	•	•

Closer will be shipped with Regular arm unless options listed below are indicated.

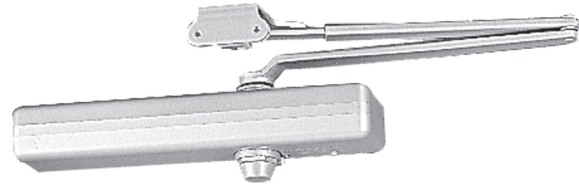
1070 Series - Optional Accessories		Finish		
Item #	Description	AL	DKBRZ	LTBRZ
1070-3049	Hold-Open arm for 1070 Series	*	*	

* Discontinued when out of stock

1460 Series Surface Mounted Closers

Application

Designed for maximum versatility, the 1460 available with multiple cover options, can be used for both commercial and institutional applications. This fully universal closer offers a wide variety of options and new fast and accurate installation.



*UL and ULC listed for self-closing doors without hold-open.
Tested and certified under ANSI Standard A156.4, grade one.*

Features

- Fast, Accurate installation
- Standard 1460 Series closer shipped with regular arm, a slim line plastic cover, and self reaming and tapping screws
- New stick-on template
- Non-sized (1-6) cylinder is adjustable for interior doors to 5' and exterior doors to 4'
- Closer mounts hinge side, top jamb, and parallel arm on either right or left swinging doors

1460 Series - Surface Mounted Closers		Finish		
Item #	Description	AL	DKBRZ	LTBRZ
1461	Standard to fit exterior doors widths from 24" to 48" and interior door widths from 24" to 60"	•	•	•
1461H	1461 w/ Hold-Open Arm	•	•	
1461CUSH	1461 w/ Cush-N-Stop Arm	•		
1461DEL	1461 w/ Delayed Action Cylinder	•	•	•
1461EDA	1461 w/ Extra Duty Arm		•	
1461HCUSH	1461 w/ Hold-Open Cush-N-Stop Arm	•		

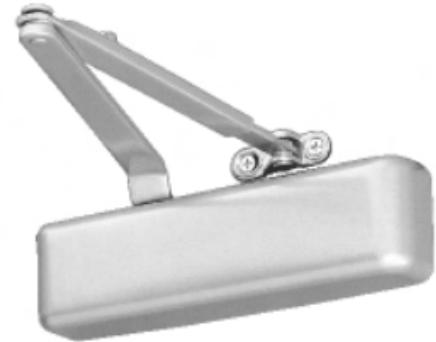
1460 Series - Optional Accessories		Finish		
Item #	Description	AL	DKBRZ	LTBRZ
1460TB	Thru-Bolts	•	•	•
1460-18PA	Parallel Arm Mounting Plate for doors where top rail is less than 4-3/8", measured from the stop	•	•	
1460-3049	Hold-Open Arm	•	•	•
1460-3049CNS	HCUSH Arm, provides Hold-Open function with templated stop/hold-open points	•	•	•
1460-3077	Regular Arm	•		
1460-3077CNS	Cush-N-Stop Arm, parallel arm features solid forged steel main arm and forearm with stop in soffit shoe	•	•	•
1460-3077EDA	Extra Duty Arm	•	•	

1520 Series Surface Mounted Closers

Application

The 1520 is a versatile cast iron closer with a low profile cover designed to complement our heavy duty 4000 Series Closers. This universal closer offers the choice of three mountings, multiple arm options and a standard metal cover.

UL and ULC listed for self-closing doors without hold-open. Tested and certified under ANSI Standard A156.4, grade one.



Features

- Non-sized 1521 cylinder for exterior doors to 36" and interior doors to 48"
- Closer mounts hinge side, top jamb, and parallel arm, on either right or left swinging doors

1520 Series - Surface Mounted Closers		Finish	
Item #	Description	AL	DKBRZ
1521	Standard Closer w/ Reg. arm with PA shoe and wood and self-tapping machine screw pack	•	•

2030 Series Heavy-Duty Concealed Door Closers

Application

The concealed 2030 Series PACER® is a heavy duty closer designed to fit in a narrow, minimum 1-3/4" aluminum transom. The single lever arm and roller assembly provide smooth, quiet door control and the choice of finishes and track functions meet virtually all architectural requirements.

UL and ULC listed for self-closing doors, without hold-open. Tested and certified under ANSI Standard A156.4.

Features

- Handed for right and left swinging doors
- Sized cylinders for interior doors to 4'6" and exterior doors to 3'6" 4'0"



2030 Series -Heavy-Duty Concealed Door Closers			Finish	
Item #	Description	AL	DKBRZ	
2033	Standard Closer w/ Size 3 cylinder for exterior doors from 28"-30" and interior doors from 34"-38"	●	●	
2034	Standard Closer w/ Size 4 cylinder for exterior doors from 30"-36" and interior doors from 38"-48"	●	*	
2035	Standard Closer w/ Size 5 cylinder for exterior doors from 36"-42" and interior doors from 48"-54"	●	●	

* Discontinued when out of stock

3130 Series Concealed Door Closers

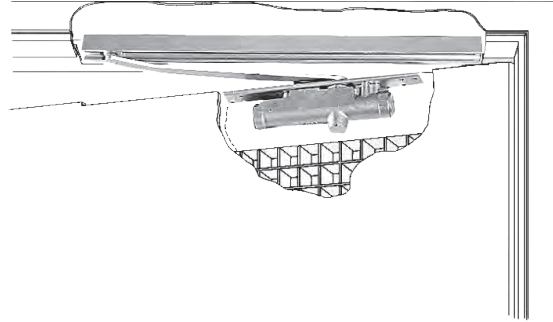
Application

The concealed 3030 is designed to mount in a 1-3/4" interior door. The double lever arm provides superior door control and the choice of finishes and arm functions meet virtually all architectural requirements.

UL and ULC listed with regular arm for self-closing doors. Tested and certified under ANSI Standard A156.4, grade one.

Features

- Sized cylinders for interior doors to 4'
- Handed for right or left swinging doors
- Closers meet ADA requirements



3130 Series - Concealed Door Closers		Finish
Item #	Description	AL
3133	Standard Closer (Size 3) for interior doors from 34" - 38"	•
3133H	3133 w/ Hold Open Arm	•

3130 Series - Optional Accessories		Finish
Item #	Description	AL
3130-3038	Standard non hold-open, non-handed track	•
3130-3038H	Hold-Open Track	•
3130TB	Thru-Bolt	•
3103-3077T	Standard Arm - Handed	•

4010 Series Heavy-Duty Surface Mounted Closers *Hinge (Pull) Side Mount*



Application

The 4010 SMOOTH® is LCN's best performing heavy duty closer designed specifically for institutional and other rugged high traffic applications.

Features

- Sized cylinders for interior doors to 5' and exterior doors to 4'
- Non-sized cylinder adjustable for interior doors to 4'6" and exterior doors to 3'6"
- Closer mounts hinge side, specify right or left swinging door
- 4011 cylinder meets ADA requirements

4010 Series - Heavy-Duty Surface Mounted Closers		Finish		
Item #	Description	AL	DKBRZ	LTBRZ
4011	Standard Closer to fit exterior doors from 24"- 42" (size 3-5) and interior doors from 24"- 54" (size 2-5)	•	•	•
4011H	4011 Closer w/ Hold-Open Arm	•	•	

4010 Series - Optional Accessories		Finish		
Item #	Description	AL	DKBRZ	LTBRZ
4010-3049	Hold Open Arm	•	•	•
4010-3077	Regular Arm	•	•	•

4020 Series Heavy-Duty Surface Mounted Closers *Top Jamb (Push Side) Mount*



Application

The 4020 SMOOTHÉE® is LCN's best performing heavy duty closer designed specifically for institutional and other rugged high traffic applications.

Features

- Sized cylinders for interior doors to 5' and exterior doors to 4'
- Non-sized cylinder adjustable for interior doors to 4'6" and exterior doors to 3'6"
- Closer mounts top jamb (push side), specify right or left swinging door
- 4021 cylinder meets ADA requirements

4020 Series - Heavy-Duty Surface Mounted Closers		Finish	
Item #	Description	AL	DKBRZ
4021	Standard Closer to fit exterior doors from 24" - 42" (size 3-5) and interior doors from 24" - 54" (size 2-5)	•	•
4021H	4021 w/ Hold Open Arm	•	•

4020 Series - Optional Accessories		Finish	
Item #	Description	AL	DKBRZ
4020-18	Plate required where head frame is less than 3-7/16"	•	•
4020-18G	Plate for flush ceiling condition	•	•
4020-3049	Hold-Open Arm	•	•
4020-3077	Regular Arm	•	•

4030 Series Heavy-Duty Surface Mounted Closers *Hinge (Pull) Side Mount*



Application

The 4030 SMOOTHÉE® is LCN's best economy in a heavy duty closer designed specifically for interior doors in moderate traffic applications

Features

- Sized cylinders for interior doors to 4'
- Closer mounts hinge (pull) side, specify right or left swinging door
- Closer to meet ADA requirements

4020 Series - Heavy-Duty Surface Mounted Closers		Finish		
Item #	Description	AL	DKBRZ	LTBRZ
4033	Standard Closer to fit interior doors from 34" - 38" (size 3)	•	•	•

4020 Series - Optional Accessories		Finish		
Item #	Description	AL	DKBRZ	LTBRZ
4020-3077	Regular Arm	•	•	•

4040 Series Heavy-Duty Surface Mounted Closers

Application

The 4040 SUPER SMOOTH® is LCN's most flexible heavy duty closer designed for institutional and other rugged high traffic applications.

Features

- Non-Sized cylinders for interior doors to 5' and exterior doors to 4'
- Closer mounts hinge side, top jamb, and parallel arm w/PA Shoe on either right or left swinging doors.
- Closer meets ADA requirements



4040 Series - Heavy-Duty Surface Mounted Closers		Finish				
Item #	Description	AL	DKBRZ	LTBRZ	US3	US26
4041	Standard Closer to fit exterior doors from 24" - 48" (size 3-6) and interior doors from 24" - 60" (size 2-6)	•	•		•	•
4041CUSH	4041 w/ a Cush-n-stop arm	•	•			
4041HCUSH	4041 w/ HCush Arm- providing hold-open function w/ templated stop/hold-open points	•	•	•		
4041DEL	4041 w/ Delayed Action cylinder	•	•	•		
4041EDA	4041 w/ Extra Duty Arm	•	•			
4041HEDA	4041 w/ Hold-Open Extra Duty Arm	•	•	•		
4041H	4041 w/ Hold Open Arm	•	•			

For Parallel Arm Bracket use prefix "P" in front of item #

4020 Series - Parts & Optional Accessories		Finish				
Item #	Description	AL	DKBRZ	LTBRZ	US3	US26
4040-18	Plate required for hinge side mount where top rail is less than 3-3/4"		•			
4040-18G	Plate, locates top jamb mounted closer flush w/ top of head frame face in flush ceiling condition	•				
4040-18PA	Plate required for parallel arm mounting where top rail is less than 5-1/2", measured from stop	•	•			
4040-18TJ	Plate, centers top jamb mounted closer vertically on head frame where face is less than 3-1/2"	•	•			
4040-3049	Hold-open Arm	•	•	•		
4040-3049CNS	HCUSH Arm - provides hold-open function with templated stop/hold-open points	•	•	•		
4040-3049EDA	Hold-Open Extra Duty Arm	•	•	•		
4040-3077	Regular Arm	•	•	•	•	•
4040-3077CNS	CUSH-N-STOP Arm	•	•	•		
4040-3077EDA	Extra-Duty Parallel Arm	•	•	•		

4110 Series Heavy-Duty Surface Mounted Closers *Parallel Arm Mount*



Application

The 4040 SMOOTHIE® is LCN's best performing heavy duty closer designed for institutional and other rugged high traffic applications.

Features

- Sized cylinders for interior doors to 5' and exterior doors to 4'
- Non-sized cylinder adjustable for interior doors to 4'6" and exterior doors to 3'6"
- Closer mounts parallel arm, specify right or left swinging door
- 4111 cylinder meets ADA requirements

4110 Series - Heavy-Duty Surface Mounted Closers		Finish		
Item #	Description	AL	DKBRZ	LTBRZ
4111	Standard Closer to fit exterior doors from 28" - 42" (size 3-5) and interior doors from 24" - 60" (size 2-6)	•	•	•
4111AVB	4111 w/ Advanced Variable Backcheck Cylinder	•		
4111DEL	4111 w/ Delayed Action Cylinder		•	
4111CUSH	4111 w/ Cush-N-Stop Arm	•		
4111HCUSH	4111 w/ HCush Arm- providing hold-open function w/ templated stop/hold-open points	•		
4111H	4111 w/ Hold-Open Arm	•	•	

4110 Series - Parts & Optional Accessories		Finish		
Item #	Description	AL	DKBRZ	LTBRZ
4110-18	Plate required for push side mount where top rail is less than 5-1/8"	•	•	
4110-18CUSH	Plate required for push side mount (w/CUSH Arm installations) where top rail is less than 5-1/8"	•	•	
4110-3049CNS	H-Cush Arm provides hold-open function w/templated stop/hold-open points	•	•	•
4110-3049EDA	Hold-Open Extra-Duty Arm	•	•	•
4110-3077	Regular Arm	•	•	•
4110-3077CNS	Cush-n-stop Arm, parallel arm features slid forged steel main arm and forearm w/ built-in stop in soffit shoe.	•	•	•
4110-3077EDA	Extra Duty Arm	•		

4040SE Series Fire / Life Safety Closer



Application

The 4040SE SENTRONIC® is a heavy duty, non-handed, non-sized closer/ holder designed to provide single point hold-open for fire and smoke barrier doors. The door is held open until current interruption releases the holding mechanism and the door closes. Single lever (track) arm closer is specifically designed for interior doors. Choice of finishes, track functions, and installation accessories meet virtually all life safety requirements.

The 4040SE Series is UL listed for smoke barrier or labeled fire doors. ULC listed for self-closing doors without hold-open. Tested and certified under ANSI Standard A156.15. Conforms to life safety code, NFPA101.

Features

- Non-sized cylinders for interior doors to 4'
- Hold-open force is adjustable
- Shipped w/ 24V SE track
- Closer mounts on either push or pull side of the door
- Non-handed

4040SE Series - Single Point Electronic (Fire / Life Safety) Closer		Finish		
Item #	Description	AL	DKBRZ	LTBRZ
4040SE-24	Standard Closer to fit interior doors from 28" - 48" (size 2-4) - 24V SE track	•	•	•

4040SE Series - Parts & Optional Accessories		Finish		
Item #	Description	AL	DKBRZ	LTBRZ
4040SE-3077DE	Double Egress Arm, handed for pull side installations on double egress doors and frames	•	•	•

4310ME Series

Fire / Life Safety Closer

Hinge (Pull) Side Mounting

Application

The 4310ME SENTRONIC® is a heavy duty, electrically controlled closer/ holder designed to provide infinitely adjustable hold-open for fire and smoke barrier doors. Door is held open until current interruption releases mechanism and the door closes. Single lever (track) arm closer is specifically designed for interior doors. Choice of finishes, track functions, and installation accessories meet virtually all life safety requirements.



The 4310ME Series is UL listed for smoke barrier or labeled fire doors. Tested and certified under ANSI Standard A156.15. Conforms to life safety code, NFPA101. An ME provides only the closer/ holder function.

Features

- Sized cylinders for interior doors to 4'
- Functions as full rack and pinion door closer when hold-open is not engaged or current is interrupted w/ Swing-Free arm engaged
- Handed for right or left swinging door
- Shipped with a 24V or 120V cylinder (please specify) on a mounting plate
- Built-in "On/Off" switch controls hold-open function

4310ME Series - Multi Point Electronic (Fire / Life Safety) Closer		Finish		
Item #	Description	AL	DKBRZ	LTBRZ
4314ME-24	Standard Closer to fit interior doors from 38" - 48" (size 4) - 24V cylinder	•	•	•
4314ME-120	Standard Closer to fit interior doors from 38" - 48" (size 4) - 120V cylinder	•	•	•

4410ME Series

Fire / Life Safety Closer

Top Jamb Mounting

Application

See 4310ME Series.

Features

See 4310ME Series

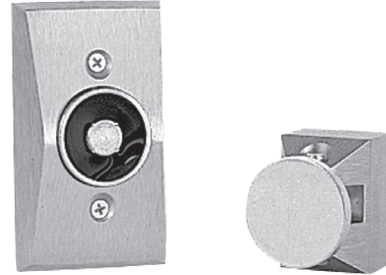
4310ME Series - Multi Point Electronic (Fire / Life Safety) Closer		Finish
Item #	Description	AL
4414ME-24	Standard Closer to fit interior doors from 38" - 48" (size 4) - 24V cylinder	•
4414ME-120	Standard Closer to fit interior doors from 38" - 48" (size 4) - 120V cylinder	•

SEM7800 Series Heavy-Duty, Door Holding Magnets

Application

The Sentronic® SEM7800 Series are heavy duty, electrically controlled door holding magnets. Magnets are fail safe and hold until the current is interrupted. A manual door closer is used to control and close the door.

All SEM7800 Series magnets are UL listed for smoke barrier or labeled fire doors.



SEM7800 - Heavy-Duty, Door Holding Magnets		Finish
Item #	Description	AL
SEM7830-24	Surface Wall Mounted - total projection = 4-1/16" - 24V	●
SEM7830-120	Surface Wall Mounted - total projection = 4-1/16" - 120V	●
SEM7840-24	Low Profile Recessed Wall Mount - total projection = 2-7/16" - 24V	●
SEM7840-120	Low Profile Recessed Wall Mount - total projection = 2-7/16" - 120V	●
SEM7850-24	Standard Profile Recessed Wall Mount - total projection = 3-7/16" - 24V	●
SEM7850-120	Standard Profile Recessed Wall Mount - total projection = 3-7/16" - 120V	●

4820 Series

Power Operators - Auto-Equalizer / Pneumatic Closer

Top Jamb Mounting

Application

The 4820 AUTO-EQUALIZER™ is LCN's pneumatically powered MULTI-DOOR solution. This low-energy power operator provides easy access for people with disabilities, the elderly, or the frail. Designed primarily for manual opening applications that occasionally require automatic opening.



The 4820 Series is UL & ULC listed with regular arm for self-closing doors and meets the provisions of ANSI Standards A117.1, A156.19, and the Americans with Disabilities Act. Conforms to life safety code, NFPA101.

Features

- Non-sized cylinders for interior doors to 4'6" and exterior doors to 3'6"
- Non-handed
- Meets ADA requirements (power mode only)

4820 Series - Auto-Equalizer/ Pneumatic Closer		Finish
Item #	Description	AL
4822	Standard Closer to fit interior doors from 24" - 54" (size 2-5) & exterior doors from 24" - 42" (size 3-5)	●

7910 Series Actuators

7910-956 (4-1/2" Dia.) - Wall Plate Actuator

Hardwired low voltage actuator with round, stainless steel touch plate. Engraved blue filled handicap symbol conforms to most accessibility codes.



7910-967 - Surface Mount RF Actuator

Wireless, 9V battery powered RF actuator for use with 7910-931 series receivers. Round, surface mount box comes complete with 4-1/2" stainless steel touch plate, with engraved and blue filled handicap symbol. Heavy industrial grade components and special gasketing provide weather resistant installation.



7910-931 - RF Receiver

For use with 7910 Series RF actuators, locate actuator and receiver so maximum line-of-sight distance does not exceed 50 feet for best performance. 7910-931 has single channel capability.

7900 Series Control Boxes

7981 - Control Box

Self-contained control box / compressor combo for single door leaf applications. The single pneumatic circuit accepts Normally Open (N.O.) inputs from hardwired or RF (wireless) actuator/ receiver combos. The 7981 Control box does not require a separate compressor.

7982 - Control Box

Self-contained control box / compressor combo for independent or simultaneous operation of two door leaves. Two independent pneumatic circuit accepts Normally Open (N.O.) inputs from hardwired or RF (wireless) actuator/ receiver combos. The 7982 control box does not require a separate compressor.