

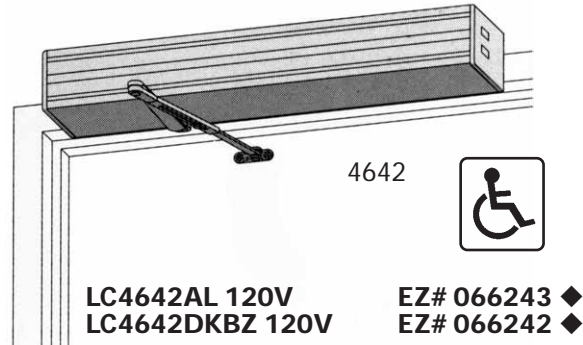
## AUTO-EQUALIZER SYSTEM

Electronically Powered Door Operator

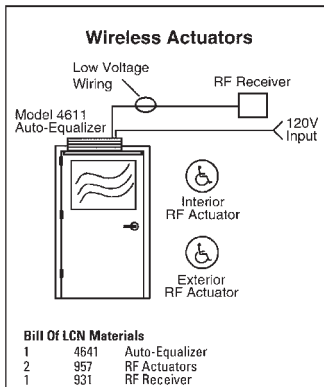
- Choice of Automatic or Manual.
- Easy to Install, Surface Mounted Operators.
- Two Year Warranty.

- Exceptionally Quiet, Efficient.
- Compatible with Fire Alarm and Security Systems.

These swing door operators feature a modular design with three main components for easy installation: a door closer assembly, an electric motor/clutch assembly and a controller module. Auto-Equalizers can always be used as a standard door closer, whether power is on or off. Safety, convenience and security are ensured by compatibility with all 900 Series LCN actuators and Locknetics high security keypads or card readers. The 4630 and 4640 Series exceed the proposed 1995 ANSI Standard A156.19 test standard of 300,000 full load operating cycles.



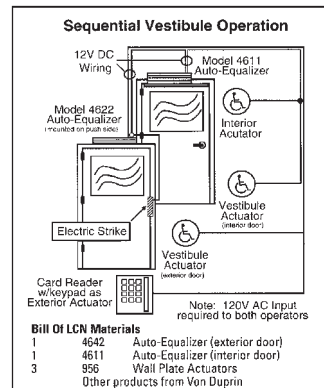
### Single Door System



#### Requirements:

- Retrofit an interior, 3'0" door.
- Pull side operator mounting.
- Free swinging (or dogged) door.

### Vestibule Entry System



#### Requirements:

- Exterior and vestibule doors.
- Sequential operation.
- Controlled access, free egress.

Wireless RF actuators, powered by the Auto-Equalizer simplify installation and minimize installation costs. For automatic door operation, touching either actuator signals the receiver and controller module to open the door to 90°. The door is held until system times out, then full spring power is applied to reliably close and latch the door. Door opening speed and hold-open time are adjustable at the controller. Closing power and speed are adjustable on the cylinder assembly.

Provides both accessibility and security. The Auto-Equalizer controlled module provides both the power and coordination for Locknetics card reader and electric strike applications. A built-in delay allows the strike to release before the door begins to open. Two interconnected Auto-Equalizers provide sequential operation in both directions. Vestibule actuators allow single door egress from the vestibule as needed.

Note: A Von Duprin device requires a separate power supply.

#### Accessories:

- LC918** Jamb Switch **EZ# 066245** ◆  
**LC956** Wall Plate Switch **EZ# 066244** ◆  
**LC930** RF Transmitter **EZ# 069647** ◆

- LC931** RF Receiver **EZ# 069648** ◆  
**LC957** Sure Mt. Trans. **EZ# 069649** ◆

◆ Denotes that the item was NOT stocked at print time of this catalogue. However, all items marked like this are generally available within 3 weeks.