

Maximum Security Bolts



1820H

1850F

Maximum security bolt provides for excellent security even when a gap exists between the door & frame. Laminated bolt provides more strength than a one piece design.

- Replacement for existing Aluminum Door flip & hook Bolts
- Case Size: 7/8" x 6-13/16"
- Flip Bolt: 5/8" x 1-3/8" Throw for swinging doors
- Hook Bolt: 5/8" x 13/16" Throw for sliding doors
- Includes both Clear & Brown Anodized Aluminum Faceplates

Mfg. #	Bolt	Backset	EZ#
1820H3132	Hook	31/32	090023
1820H118	Hook	1-1/8	090024
1850F3132	Flip	31/32	090025
1850F118	Flip	1-1/8	090026

Deadlatch Lever Handle



- Works with Aluminum Door deadlatches like the Baron 4510 series
- Handle is designed to fit the hand and allow for minimum force to open the deadlatch
- Reversible cam disc included

Mfg. #	Finish	EZ#
4560L AL	Alum	090031
4560L DU	Duro	090032

Deadlatches



- Replacement for existing Aluminum Door latches
- Case Size: 7/8" x 6-13/16"
- Latch Bolt: 5/8" x 1" x 5/8" Throw
- Deadpin prevents the latch bolt being shimmed open
- Hold back function allows the latch to be "dogged" during store opening times. Simply hold latch in and turn key backwards to "dog" the latch.
- Includes both Clear & Brown Anodized Aluminum Faceplates

Mfg. #	Backset	Hand	EZ#
4510DL3132LH	31/32	LH	090027
4510DL3132RH	31/32	RH	090028
4510DL118LH	1-1/8	LH	090029
4510DL118RH	1-1/8	RH	090030

Deadlatch Paddle Handle



- For aluminum door latches on both outswinging and inswing doors.
- Reversible cam disc included
- Both Push & Pull stickers included which allows for: Push to Right, Push to Left, Pull to Right, or Pull to Left

Mfg. #	Finish	EZ#
4590P AL	Alum	090033
4590P DU	Duro	090034
Cam Plug		090932

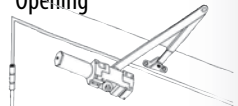


Size Adjustment

Adjusting the closing power for the opening could not be easier with the power dial on the end of the cylinder.



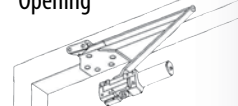
Regular Arm (Pull Side)
Permits 120° Maximum Opening



Top Jamb (Push Side)
Permits 120° Maximum Opening



Parallel Arm (Push Side)
Permits 180° Maximum Opening



Mfg #	Finish	EZ #
DC6816BC DU	Duronodic	087495
DC6816BC AL	Clear	087494

- Sizes and hole patterns match the most popular products on the market.
- Baron closers are "tri-packed", with everything needed for regular, top jamb and parallel arm mounting.
- Heavy Duty Cast Iron Body for years of carefree use.
- Adjustable power from Size 1-6

- Latch & Speed Adjustments for proper closing timing
- Adjustable back check
- Forged steel arms: Forging creates steel parts with more tensile strength, to resist breakage.

- Packed with self-tapping screws, wood screws and sex nuts and bolts for wood, metal, or aluminum door installations.
- U.L. Listed for U.S. and Canada: UL 10C fire rated. Tested to meet ANSI Grade 1 specifications.
- Anti-freeze hydraulic oil for cold climates



DP18AL

- For hinge side mount where top rail is less than 3-3/4".
- Requires 2" minimum top rail



DP18G DU

- Puts top jamb mounted closer flush with top of head frame face
- Requires 1-3/4" minimum head frame.

Optional C6816 Closer Mounting Plates

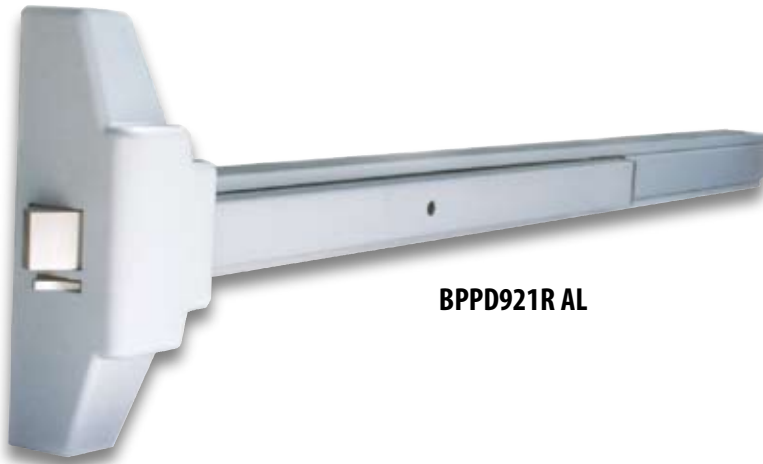
Mfg #	Type	Finish	EZ #
DP18AL	Drop Plate	Clear	091184
DP18DU	Drop Plate	Duronodic	091185
DP18G AL	Top Jamb Flush	Clear	091188
DP18G DU	Top Jamb Flush	Duronodic	091189
DP18TJ AL	Top Jamb Vertical	Clear	091186
DP18TJ DU	Top Jamb Vertical	Duronodic	091187



DP18TJ AL

- Centers top jamb mounted closer vertically.
- Requires 1-3/4" minimum head frame.

Exit Devices



BPPD921R AL



BPPD921V AL

- Designed for commercial interior and exterior doors where panic exit devices are required by code or local jurisdiction requirements.
- Rim devices are non-handed. Vertical rod devices are field reversible.
- Devices have all functions built in. Order trim with the device or add it later.
- For 1-3/4" thick doors with 36" door widths

Mfg #	Finish	Type	EZ #
BPPD921R 32D	Satin Stainless Steel	Rim Exit	091336
BPPD921R AL	Painted Aluminum	Rim Exit	085490
BPPD921R DU	Dark Bronze Duranodic	Rim Exit	085491
BPPD923RF AL	Painted Aluminum	Fire Rated Rim Exit	091334
BPPD921V AL	Painted Aluminum	Vertical Rod	085492
BPPD921V DU	Dark Bronze Duranodic	Vertical Rod	085493

Exit Device Trim Options



BPKR9240 & BPKR9250 13

All trims include back plate to retrofit existing 161 Key-in-Knob holes..



BPW92AL



BPLR9240 & BPLR9250 26D

Mfg #	Trim	Finish	EZ #
Storeroom Trim: Key retracts latchbolt. Outside entry by trim. Supplied with SC1 keyway.			
BPKR9240 13	Ball Knob	Dark Bronze Duranodic	085495
BPKR9240 32D	Ball Knob	Satin Stainless Steel	085494
BPLR9240 13	Lever	Dark Bronze Duranodic	085499
BPLR9240 26D	Lever	Satin Brushed Chrome	085498
Classroom Trim: Key locks or unlocks outside trim. Supplied with SC1 keyway.			
BPKR9250 13	Ball Knob	Dark Bronze Duranodic	085497
BPKR9250 32D	Ball Knob	Satin Stainless Steel	085496
BPLR9250 13	Lever	Dark Bronze Duranodic	085501
BPLR9250 26D	Lever	Satin Brushed Chrome	085500
Storeroom Pull: Key retracts latchbolt. Outside entry by wing pull. Less Cylinder			
BPW92AL	Wing Pull	Painted Aluminum	085502
BPW92DU	Wing Pull	Dark Bronze Duranodic	085503



Dome Cameras with Varifocal Lens



DM550AV49

- 550 TV Lines
- 1/3" Panasonic D5 CCD Image Sensor
- 4~9mm vari-focal lens
- Electronics Shutter ON
- Back Light Compensation ON
- Gain Control ON
- ALC ON
- -10° to +60°C



DM420MV49

- 420 TV Lines
- 1/4" Panasonic D5 CCD Image Sensor
- 4~8mm vari-focal lens
- Electronics Shutter ON
- Back Light Compensation ON
- Gain Control ON

Dome Cameras with Board Lens



DM420MF36

- 420 TV Lines
- 1/3" Sony Colour CCD
- Built-in 3.6mm Board Lens
- Auto Electronic Shutter
- ATW
- Auto Back Light Compensation



DM420MF36IR

- 420 TV Lines
- 1/3" Sony Colour CCD
- Built-in 6.0 mm Board Lens
- Auto Electronic Shutter
- ATW
- Auto Back Light Compensation
- 21 IR LED
- IR Range: 10 Meters



Mfg #	Pick up Element	BLC	Auto Iris	Auto Elec Shutter	AGC	ALC	TVL	Min. Lux	Power Source	Power	Lens	Size	EZ#
DM550AV49	1/3" Panasonic	ON	ON	ON	ON	ON	550	0.5 Lux	DC12V	3.6W	4.0 - 9.0 mm	5.63"(0) 3.75"(H)	086831
DM420MV49	1/4" Panasonic	ON		ON	ON		420	0.92 Lux	DC12V	3.6W	4.0 - 8.0 mm	5.63"(0) 3.75"(H)	086832
DM420MF36	1/3" Sony	ON		ON	ON-OFF		420	0.5 Lux	DC12V	3.6W	3.6mm Board	4.6"(0) 2.9"(H)	086828
DM420MF36IR	1/3" Sony	ON		ON	ON-OFF		420	0.5 Lux (0 with IR)	DC12V	3.6W	6.0mm Board	4.6"(0) 2.9"(H)	086833

Vandal Resistant Dome Cameras



DM420MF36VW

- Vandal Resistant Dome Camera resists 45kg of Force
- Alloy Zinc Material
- 1/3" Sony CCD
- 3.6mm, 420 TVL
- 0.5 Lux
- IP Environment Rating: IP66



DM580AV49VW

- HQ1 Vandal Resistant Camera
- Impact Resistant Polycarbonate
- 1/3" Sony Super-HAD/HQ1 Sensor
- 580 TVL, 0.5 Lux
- 4 - 9mm Auto Iris Vari-focal Lens
- IP Environment Rating: IP66



Baron

Mfg #	Pick up Element	BLC	Auto Elec Shutter	AGC	ALC	TVL	Min. Lux	Power Source	Power	Lens	Size	EZ#
DM420MF36VW	1/3" Sony	ON	ON	ON-OFF	-	420	0.5 Lux	DC12V	3.6W	3.6mm Board	4.9"(0) 3.15"(H)	086830
DM580AV49VW	1/3" Sony Super HAD	ON-OFF	ON-OFF	ON-OFF	Low-High	580	0.5 Lux	DC/AC12-24V	3.6W	4.0-9.0 mm	3.9"(L)	086829

IR Bullet Cameras



BU420MF60IR

- 1/4" Panasonic CCD
- 6mm Lens
- 420 TVL, 0.92 Lux
- Includes Bracket
- IP Environment Rating: IP66
- Complete with Sun Shield
- Includes Power Supply



BU420MV49IR

- Outdoor Sealed IR Camera
- 4-9mm Auto Iris Vari-focal Lens
- 1/3" Sony CCD, 420 TVL, 0.92 Lux
- Requires HD-914 Bracket or Equivalent (Not Included)
- IP Environment Rating: IP66
- Complete with Sun Shield

Camera Bracket

Mfg #	Description	EZ #
HD-914	8KG Load	087818

Mfg #	Pick up Element	BLC	Auto Elec Shutter	AGC	ALC	TVL	Min. Lux	LED Qty / Distance	Pwr. Src	Power	Lens.	Size	EZ#
BU420MF60IR	1/4" Panasonic	ON	ON	ON	ON	420	0.92 Lux (0 with IR)	21 10 Metres	DC12V Includes Power Supply	3.6W	6.0mm Board	2"(0) 2.9"(H)	086839
BU420MV49IR	1/3" Sony	ON	ON	ON	-	420	0.92 Lux (0 with IR)	28 25 Metres	AC/DC (12-24)	12W-23W*	4.0-9.0 mm	11"(L) 4.5"(0)	086840

* 12W are the power requirements for interior use. When used in low temperatures the internal heater will come on requiring additional power up to 24W. For those conditions it is recommended to use a 2.5 Amp Power supply.



Baron

Day & Night Cameras



BDN420

- Bodied Day and Night Camera
- 1/3" Panasonic CCD
- 420 TVL, 0.92 Lux
- Lens optional

BDN550

- Bodied Day and Night Camera,
- 1/3" Panasonic CCD
- 550 TVL, 0.5 Lux
- Lens optional



BDN580HQ

- HQ1 Camera
- 1/3" Sony Super-HAD/HQ1 Sensor
- 580 TVL, 0.5 Lux, with Mechanical Removal IR Filter
- Lens optional



Mfg #	Pick up Element	BLC	Auto Elec Shutter	AGC	ALC	TVL	Min. Lux	Power Source	Power	Dimension	EZ#
BDN420	1/3" Panasonic	ON-OFF	ON-OFF	ON-OFF	Low-High	420	0.92 Lux	DC12V	3.6W	4.6"(L) 2.25"(W) 2.25"(H)	086835
BDN550	1/3" Panasonic	ON-OFF	ON-OFF	ON-OFF	Low-High	550	0.5 Lux	DC12V	3.6W	4.6"(L) 2.25"(W) 2.25"(H)	086834
BDN580HQ	1/3" Sony	ON-OFF	ON-OFF	ON-OFF	Low-High	580	0.5 Lux	DC12V 24VAC	3.8W	4.8"(L) 2.4"(W) 2.16"(H)	086836

Fujinon Vari-focal Lens



- DC Auto Iris F0.95 ~ F360
- Aspherical Lens for high quality image.
- For Colour, B/W, & Day/Night(Where noted) Cameras.
- Wide aperture of F1.3 for low light intensity.

Mfg #	Focal Range	Day/	EZ #
YV2.8X2.8LA-SA2L	2.5-8MM	No	083495
YV5X2.7R4B-SA2L	2.7-13.5MM	Yes	083497
YV10X5B-SA2L	5-50 MM	No	090754

CCTV Installer & Survey Tool

The tool that no installer or seller of CCTV should be without. This tool allows you to show your client what the appropriate lens that should be used for their camera application. Many cameras are incorrectly specified by using the wrong lens and by not focusing on the intended subject area to be surveilled.



Simulated Image

- Pick up Element: 1/3 420TVL CCD Sensor
- Screen: 3.5" TFT
- Lens: Thumbwheel Selectable lenses of 4, 6, 8, 12, & 16mm
- Power: Can be operated by batteries or 12DC Power Source
- Batteries: Requires 8AA Alkaline (Not Included)
- Accessories Included: Leather Bag with Strap, Video & BNC Connector, 3 Port Power Cable
- Has BNC In & BNC Out for Installer testing of camera installation for view & focus adjustment

Mfg #	EZ #
CCIM35X5	091402